

Installation and Operating Instructions
for
Stahl 3-Point Automatic Safety Belt Type 780/790K - Front Seats
Approval No. Ar4m E4 0418076/Ar4m e4 118076

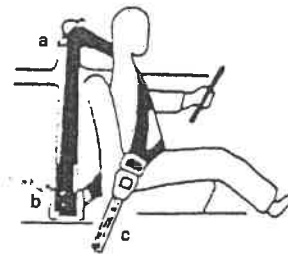
1) Installation Instructions
for safety belt with automatic retractor

Read carefully before installing the belt!

Attachment points

The fixation points for the 3-point automatic seat belt are:

- a) fixation point door pillar top
- b) fixation point door pillar bottom
- c) fixation point seat, base plate or middle tunnel (vehicle seat inside)



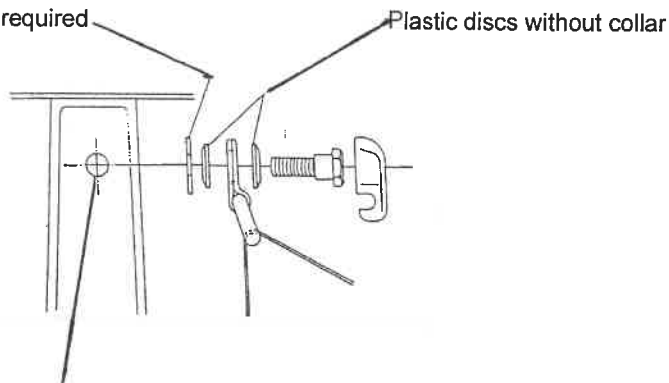
Installation steps of sequence

The position of the installation threads can be found in the operating instructions of the vehicle. Check the threads and remove any residues.

1. point a) Screw on pillar loop at the top (should be pivotable/moveable)
2. point b) When screwing the end bracket to the retractor, make sure that the belt webbing isn't twisted
3. point c) Screw on the buckle

Screw-on point door pillar top point A

Mount washer as required



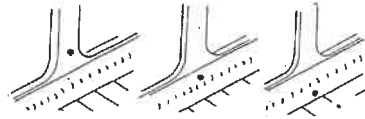
Remove threaded plug or punch holes in the paneling at the installation thread and mount parts as shown in the illustration

Screw-on point door pillar bottom point B

assembly:

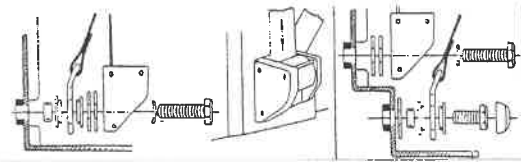
Clear the mounting thread. Push the front seat completely forward. Mount the retractor according to the illustration.

The installation sketches show the installation of the safety belt on the driver's side (left), the passenger side is to be installed exactly mirror-inverted



to b) Anchoring point outside bottom (retractor)

The retractor must be mounted according to the illustration and aligned in such a way that the webbing can enter and exit the retractor vertically. The screw connection must be tightened so tightly that the retractor position is not changed independently.

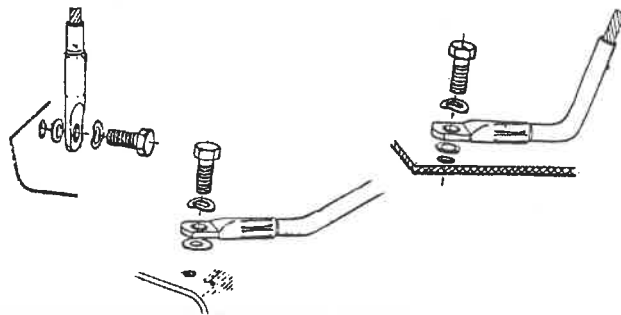


The webbing must not be rolled up too far during installation. If the retractor is blocked, make sure it is in a vertical position. Then roll the wound up webbing about 1/4 turn further to release the lock.

Afterwards the webbing can be pulled out slowly.

Screw-on point seat, base plate or tunnel (vehicle seat inside) point C

Clear the installation thread on the seat, car floor or middle tunnel and install the buckle as shown in the illustration. After installation, the buckle must be aligned as required by bending or twisting. If floor carpets are available, the lock tab should be led under the carpet and screwed there. Cut slots/slits into the carpet.



Type 790K with metal strap buckle for seat mounting should be installed in adequate sequence!!!!

2) Operation Instructions Type 780/790K

In the interest of your safety, we ask you to check your safety belt for damage before each use and only buckle up afterwards.

The retractor has two independent locking systems. The main lock responds immediately in the event of corresponding changes in movement (sharp braking, impact, rollover). This lock is controlled either by a CS (Car Sensitive)-Sensor with a special "Standing Man" system, a pendulum or a ball, which react in all directions. These systems respond to the above-mentioned events and block the unwinding system. In order to check the blocking function, an emergency stop can be made at low speed.

The secondary lock is intended as an additional safety device and reacts when the webbing is pulled out with high speed. The reaction value is much higher with this lock than with the main lock.

No changes may be made to the safety belt and in particular, to the automatic system (retractor), as otherwise the proper functioning of the system cannot be guaranteed.

When winding up the webbing, take care that the webbing does not touch the left and right side of the retractor housing. If this is the case, the retractor can be adjusted up to a maximum of 7 degrees.

Important:

- Make sure that the webbing is not installed or applied twisted and never scrubs against sharp edges of the seat or the interior of the car.
- Safety belt webbing that is cut, with incomplete stitching, frayed, damaged or from cars with serious accidents must be replaced.
- After an accident, we recommend having the anchorage points checked in a car repair shop.
- Check occasionally to make sure that the screws are tightened properly.
- The safety belt is intended for use by a single person only and is not suitable for children under 6 years of age.
- The belt must fit tightly to the body.

Fasten your seat belt:

Insert the safety belt tongue into the buckle until you hear it click into place.

The belt does not need to be adjusted. Lengthening or shortening of the webbing is regulated by the retractor, depending on the seating position and girth/body circumference. Full movement of the body in all directions is guaranteed.

Opening:

By pressing the red press button the tongue will be released out of the buckle head. When not in use, the retractor rolls up the webbing and the tongue is held by a stopper just below the pillar loop.

Adjust:

The provided stalk/cable buckle can be bent according to your sitting position.

Cleaning:

Occasional washing with a sponge, some warm water and soap will keep the webbing clean. Do not use bleach or dyes, as these can affect the webbing quality.

Type 790K with metal strap buckle for seat mounting should be operated accordingly!!!!